



**PSAR2 R DALI**  
**6823-10-256**

Red Light - Recessed fixture for living rooms

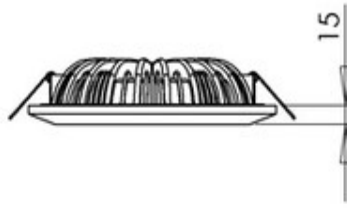
Lighting features	
LED Characteristics	<b>SMD</b>
Number of LEDs	<b>30</b>
Item Lumen	<b>61 lm</b>
Item Efficiency	<b>13 lm/W @85°C</b>
Color Temperature	<b>Red Dominant Wavelength: &gt;619nm &lt;625nm</b>
Optics	<b>Opal</b>
Photobiological Risk	<b>RG0</b>
Luminous Flux Maintenance	<b>L70 B50 36000</b>

Electrical features	
Input Voltage	<b>220/240V 0-50/60Hz</b>
Total Absorbed Power	<b>5W</b>
Power Factor	<b>&gt; 0,95</b>
Control System	<b>DALI</b>
Driver Lifespan	<b>100000</b>
Driver	<b>Included</b>
Power Supply Type	<b>Costant Voltage</b>
Driver Output	<b>24VDC</b>
Driver Input	<b>220/240V 0-50/60Hz</b>
Driver Protection	<b>Mains surge 1kV; (L/N - PE) 2kV</b>

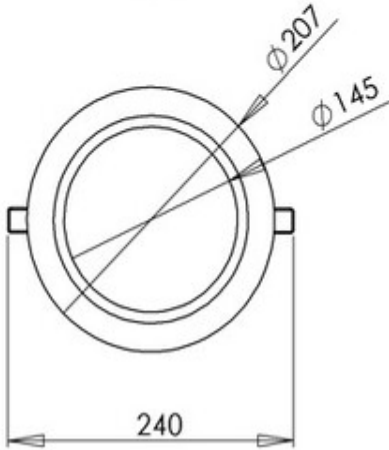
Mechanical features	
Housing material	<b>Aluminum frame</b>
Housing color	<b>White RAL 9010</b>
IP	<b>IP44 Front side</b>
Diffuser / Protective shield	<b>Opal polycarbonate</b>
Mounting	<b>Recessed</b>
Hole dimension	 <b>180</b>
Cable	<b>Cm.35 - H05RN-F 2x1</b>
Operating ambient temperature	<b>-20°C / +45°C</b>
Storage ambient temperature	<b>-20°C / +60°C</b>
Item Dimensions	<b>55mm Ø207mm - 0,7kg</b>

Others	
Packaging Dimensions	<b>300x80x210mm - 1kg</b>
International standard compliance	<b>EN 60598-1; EN60598-2-2; EN62471 + IEC TR 62778; EN55015; EN61000-3-2; EN61000-3-3; EN 50581;</b>
Eancode	<b>8019282106821</b>
Insulation Class	

CE



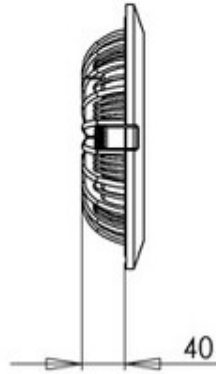
15



Ø 207

Ø 145

240

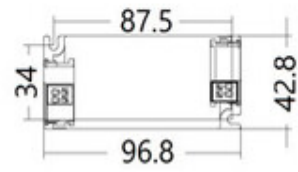


40



LED DRIVER

29.8



87.5

34

42.8

96.8